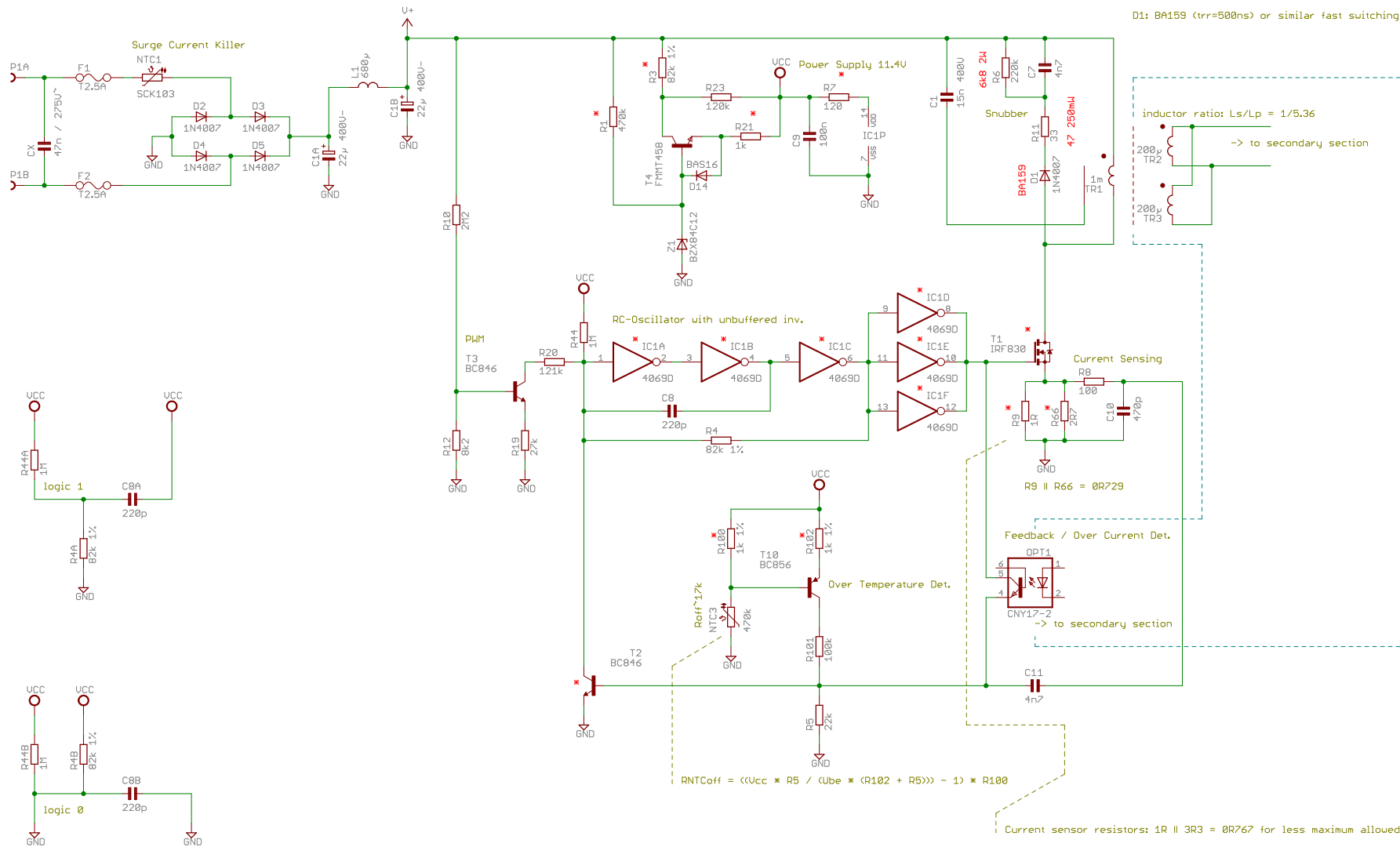


# CTEK XS3600 PRIMARY SECTION

Snubber must be changed to the following values:  
 R6: 6k8 min. 2W  
 R11: 47R min. 250mW  
 D1: BA159 (trr=500ns) or similar fast switching diode



\*damaged parts

Date: 02.11.12		Name: R. Siegle		<b>RoSiE</b>
Editors:	02.11.12	R. Siegle		
Checked: 02.11.12		R. Siegle		TITLE:
For Customer:				<b>ctek_xs_3600</b>
To Device:				Document Number:
Ctek XS3600				
Rev.	Changes	Date	Name	Sheet: 1/1
				Date: 08.12.2012 21:34:02