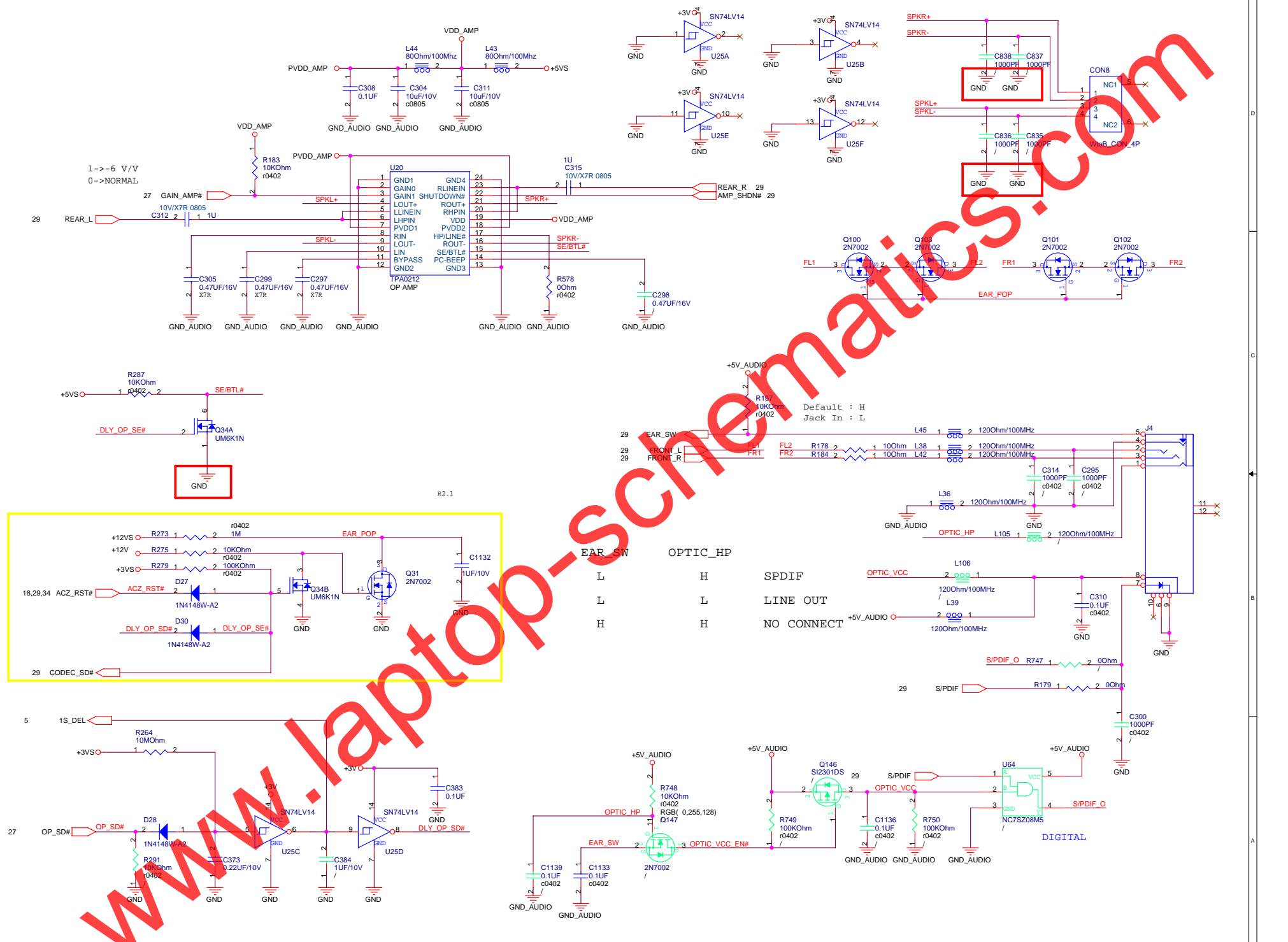


www.laptop-schematics.com



www.laptop-schematics.com

EAR_SW	L	H	SPDIF
FRONT_L	L	L	LINE OUT
FRONT_R	L	H	NO CONNECT
	H	H	

1->-6 V/V
0->NORMAL

Default : H
Jack In : L

DIGITAL