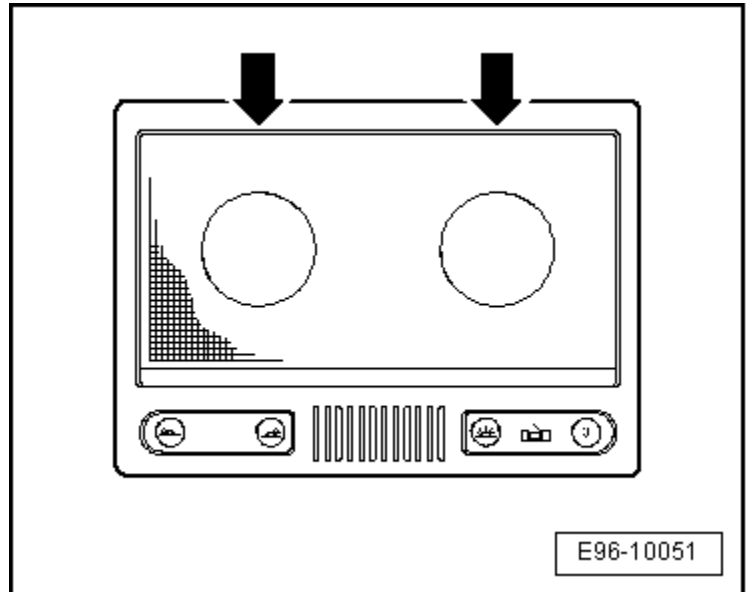


Removal:**Standard closed roof light:**

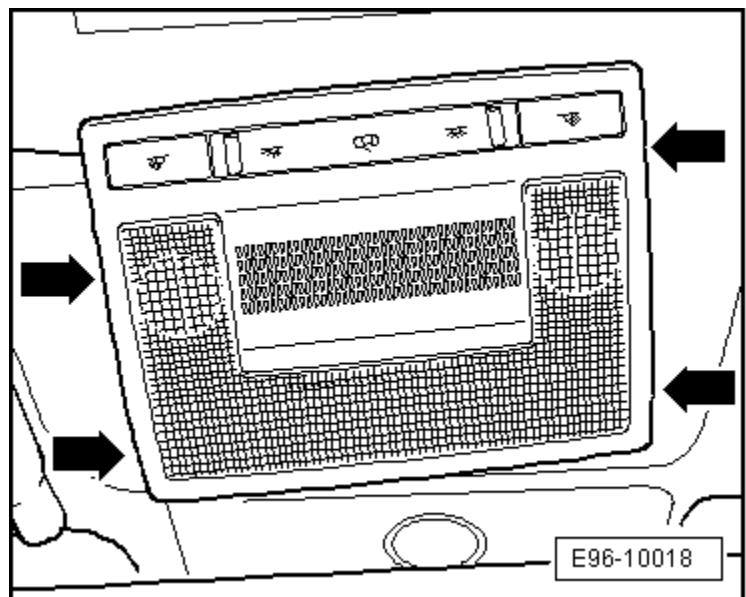
To change the bulb, it is only necessary to remove the glass cover.

- Place the lever -U-30800- on the points shown -arrows-.

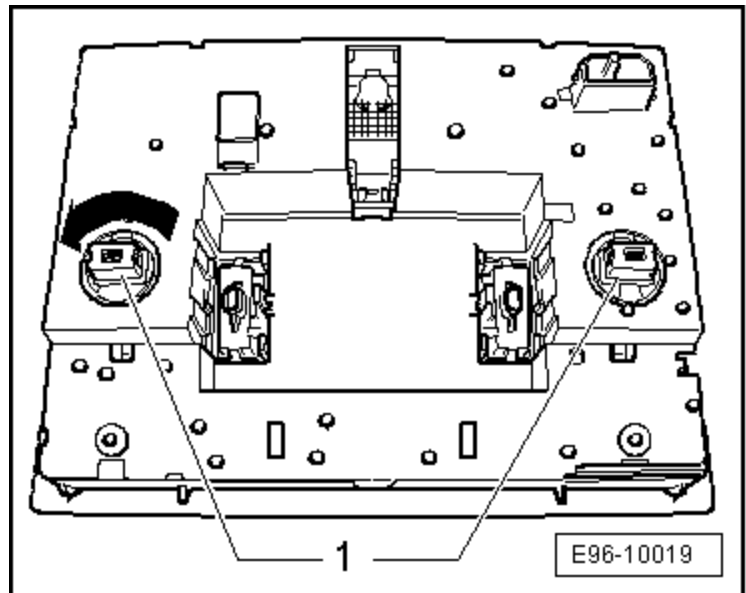
Light for closed roofs, Nordic countries:

The complete assembly can be removed for changing the reading lamps.

- Place the lever -U-30800- on the points shown -arrows-.

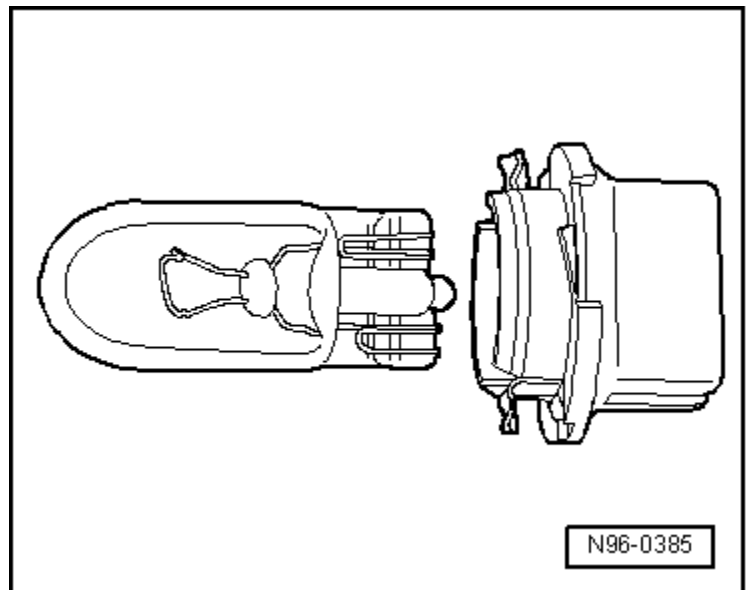


- Unplug connectors

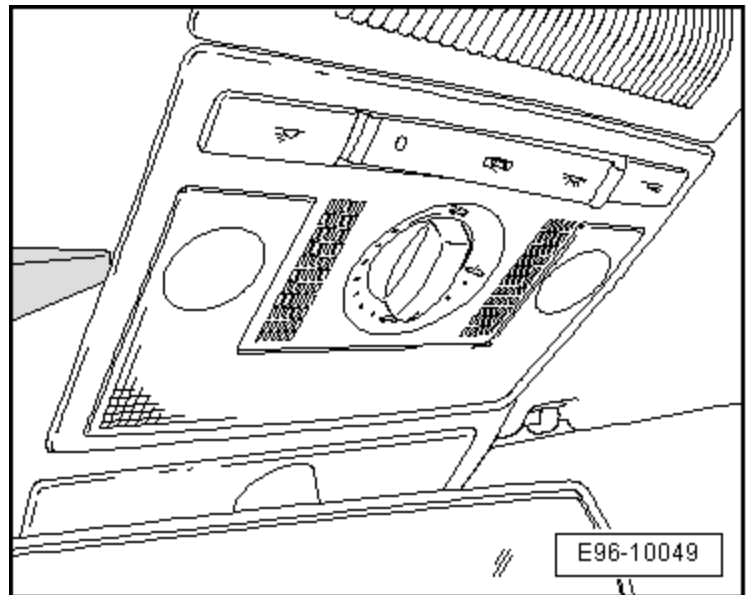


- Turn lamp holder -1- to the left.
- 12V / 5 W glass bulb

Opening roof light:



To change the reading lamps, remove the complete assembly .



- Apply the tool lever -U-30800- as shown in the illustration.
- Separate the electrical connectors -1- for the light power supply and -2- roof opening and closing switch.

