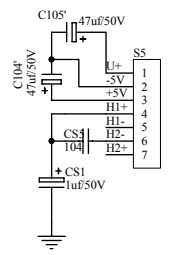
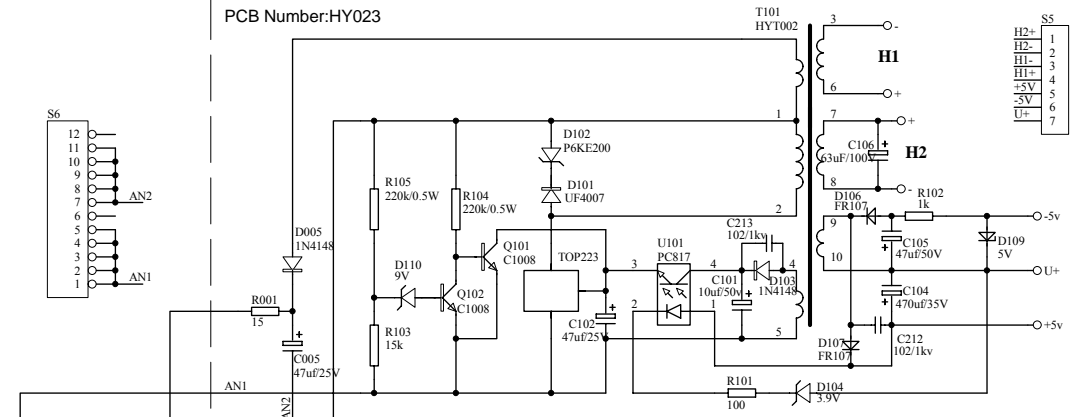
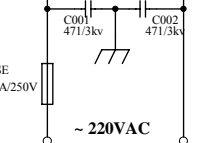
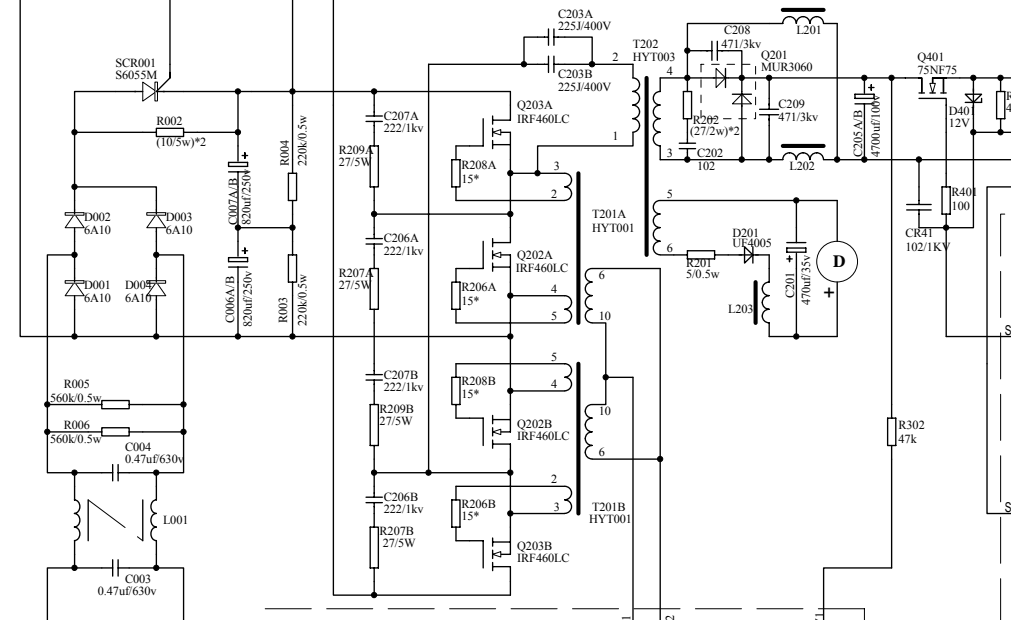


PCB Number:HY023

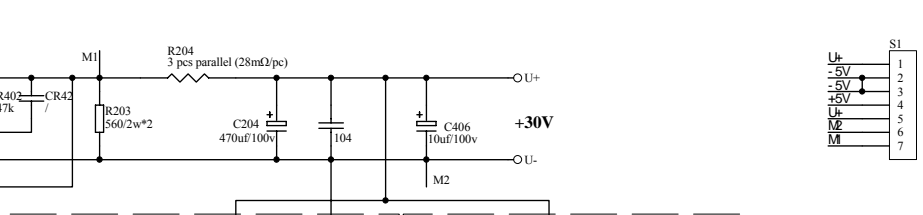
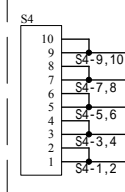
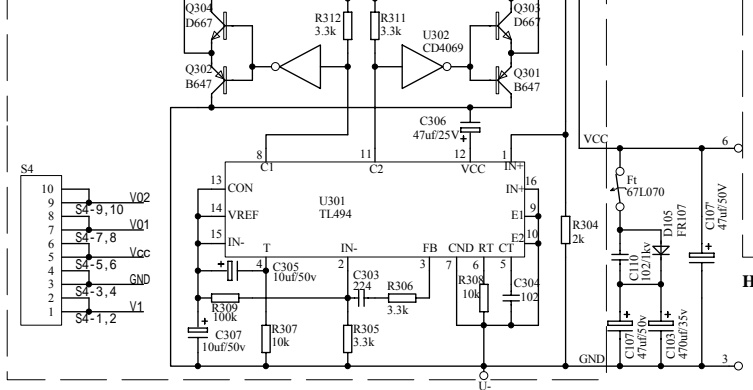


- S1 ← Connecting → Display PCB: HY026 (on HY022 PCB)
- S2 ← Connecting → S1 (on HY014 PCB)
- S3 ← Connecting → S3 (on HY013 PCB)
- S4 ← Connecting → S4 (on HY012 PCB)
- S5 ← Connecting → S5 (on HY023 PCB)
- S6 ← Connecting → PCB HY023 (on HY022 PCB)

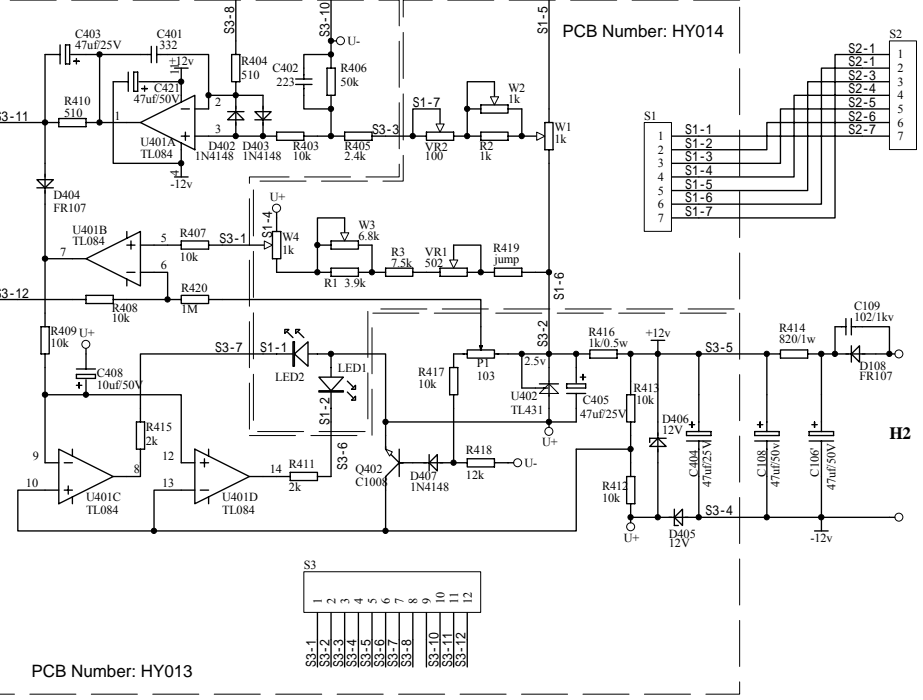
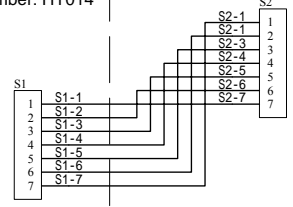


PCB Number: HY022

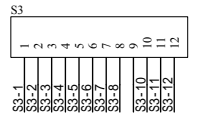
PCB Number: HY012



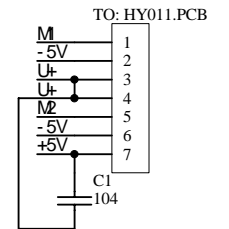
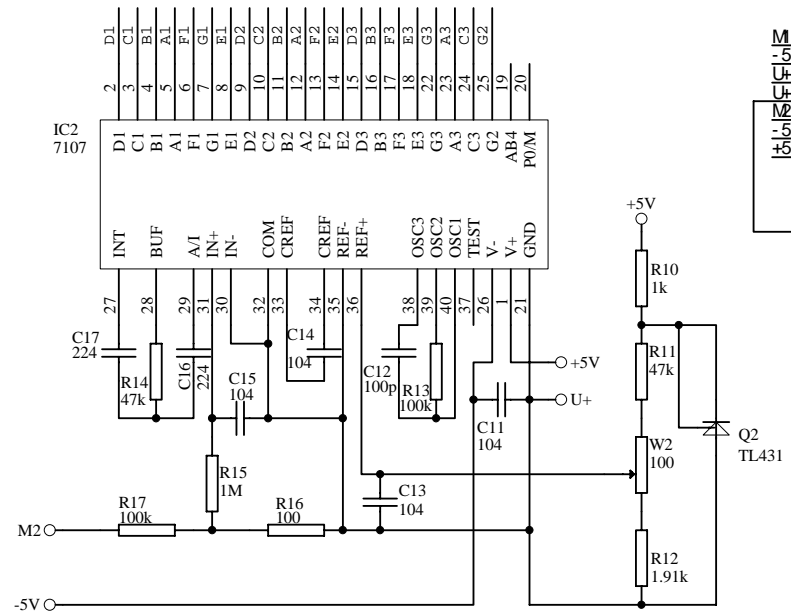
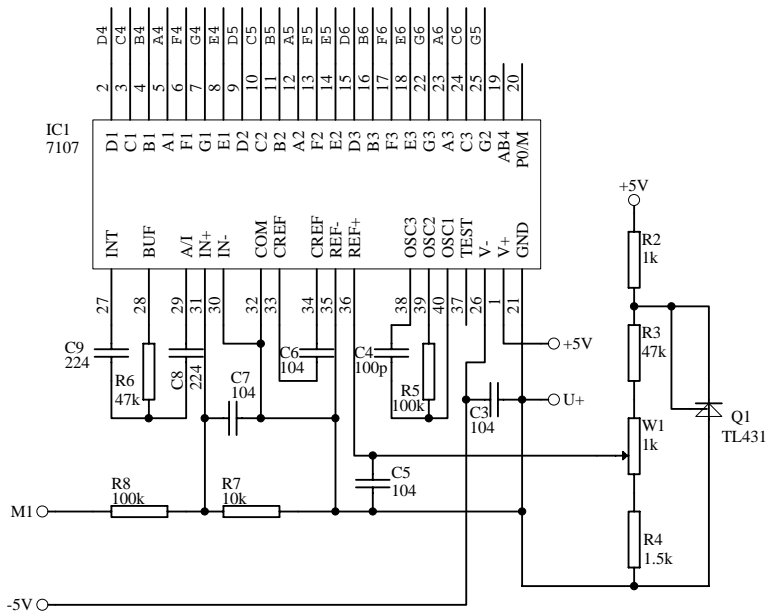
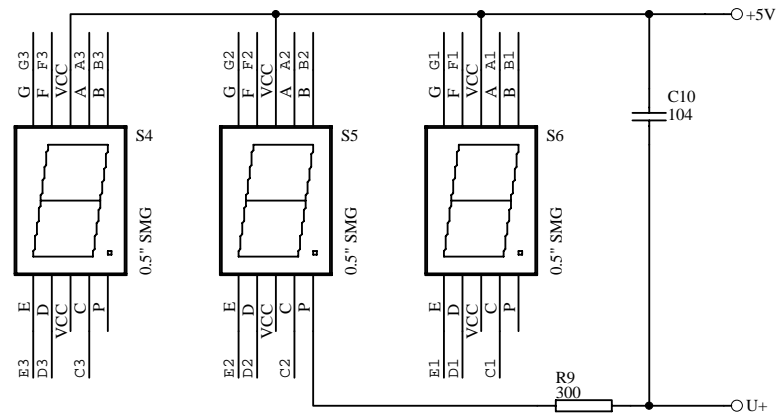
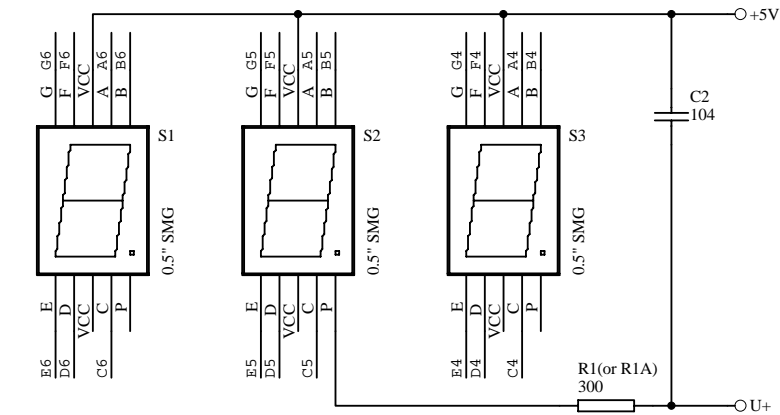
PCB Number: HY014



PCB Number: HY013



Circuit Diagram for HY5020E (1)



Circuit Diagram for HY5020E (2)

PCB Number: HY026