

GREEN FUNCTION:(CPU PIN)

	R15A
GRN	V
NO GRN	NC

VOLTAGE MODEL DETECTION:(CPU PIN32)

	R13B	R13C
220V	NC	V
230V	V	V
240V	V	NC

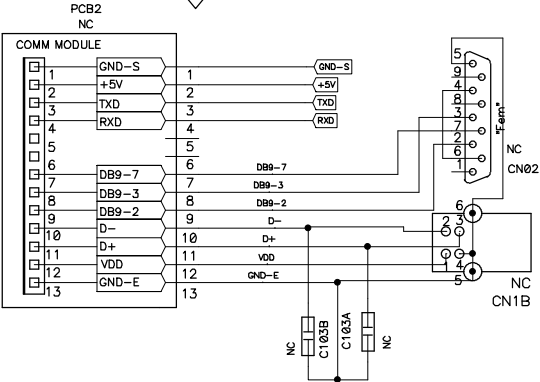
	R13B
110V	NC
120V	V

INPUT MODEL:(CPU PIN23)

	R5A	R5B
STD	V	V
STEP	NC	V
GEN	NC	NC

VA MODEL DETDTION:(CPU PIN22)

	R3B	R3C
600VA	V	V
500VA	V	NC
400VA	NC	NC
800VA	V	NC
700VA	NC	NC



PHOENIXTEC

REVISION: L1-C

TITLE: PCBA MODULE-C MAIN 600VA 120V

SHEET 3 OF 4

DATE: 2005/09/22