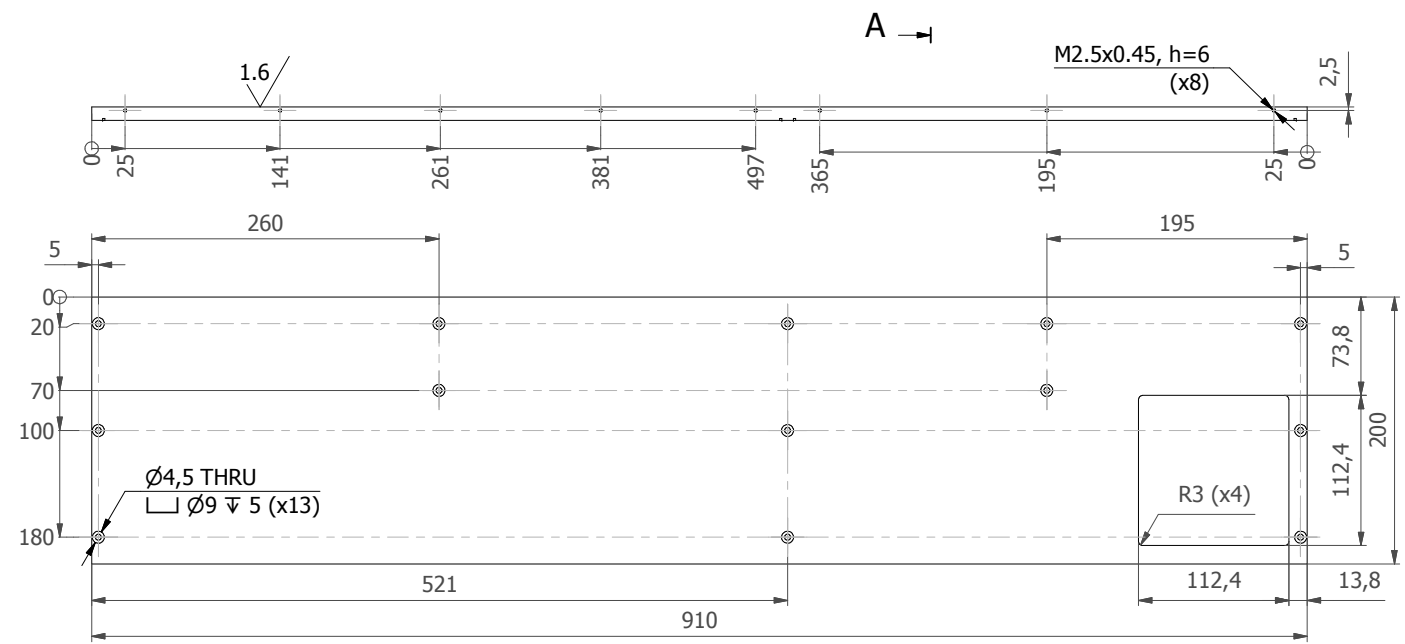
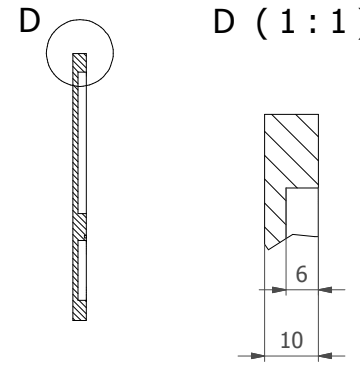
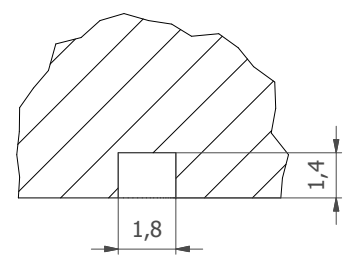


A-A  
D (1:1)



F (6:1)



1.  $\pm IT12/2$ ; H12; h12.
2. Danga: anoduoti baltai.

GAMYBA		
ATIDUOTA	PL. GAUTI	KIEKIS, vnt.
	2010.06.28	1

<b>Material</b>	Aluminum alloy ENAW-6082T				A3
<b>Designed by</b>	<b>Date</b>	<b>Approved by</b>	<b>Date</b>	<b>File name</b>	<b>Scale</b>
Audrius	2008.11.13			NL313-01.008, Siena IV.idw	1:4
<b>SIENA IV</b> NL313-01.008					<b>Revision</b>
					1
					<b>Sheet</b>
					1 / 1

