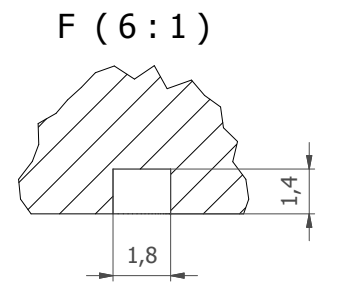
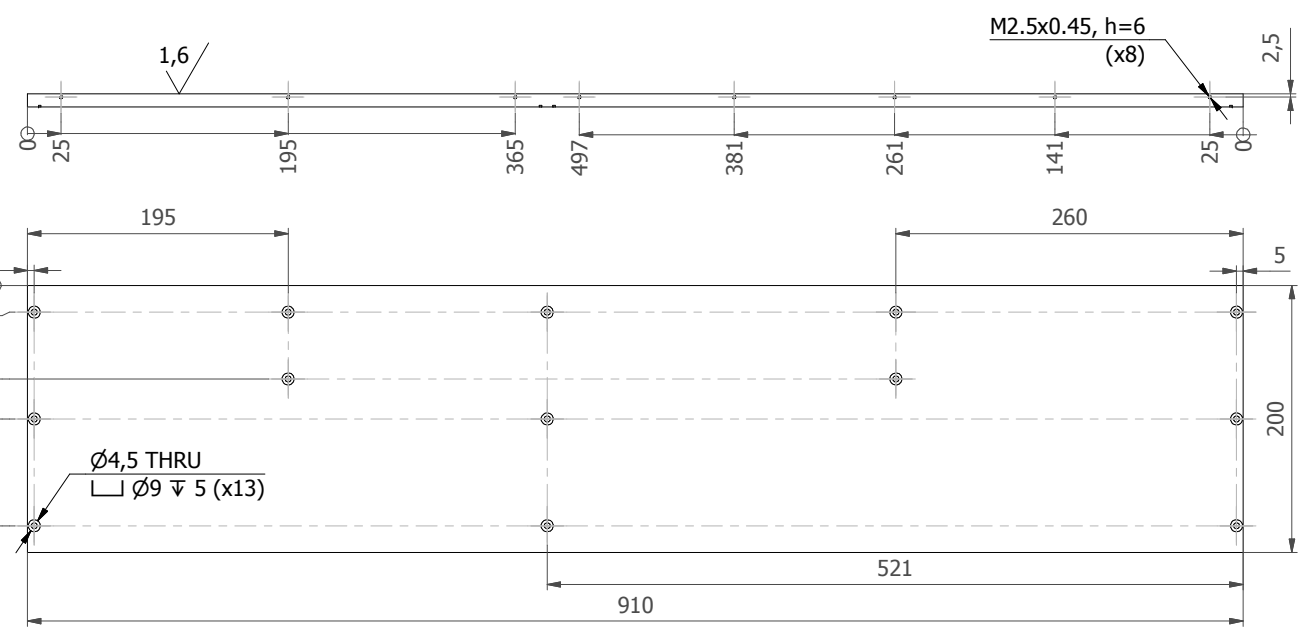
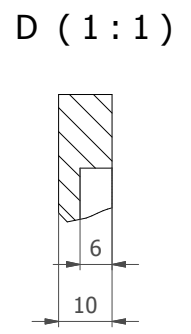
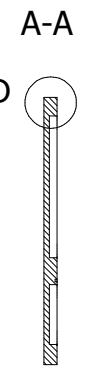
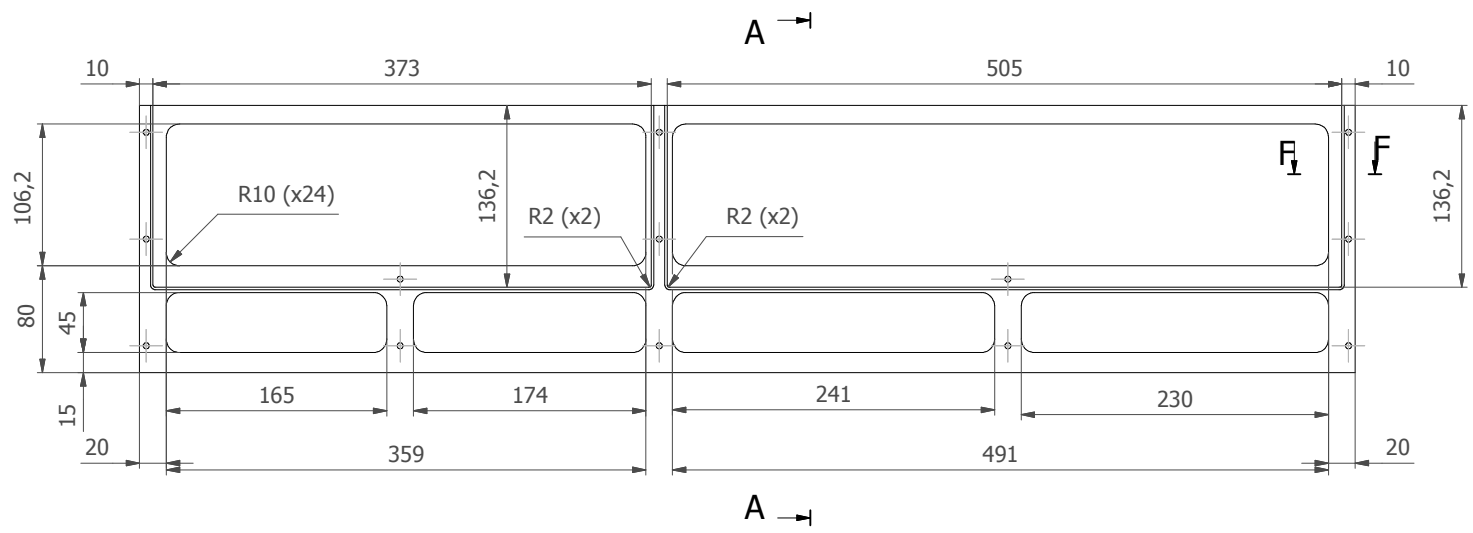


3.2 / (✓)



1. ± IT12/2; H12; h12.
2. Danga: anoduoti baltai.

GAMYBA		
ATIDUOTA	PL. GAUTI	KIEKIS, vnt.
	2010.06.28	1

Material	Aluminum alloy ENAW-6082T				A3
Designed by	Date	Approved by	Date	File name	Scale
Audrius	2008.11.13			NL313-01.007, Siena III.idw	1:4
SIENA III NL313-01.007					Revision
					1
					Sheet
					1 / 1

