

Biscuit jointer (Lamello router) BDF 850 Bavaria

Art.-No.: **43.506.00**

bar code: 4006825434231

sales unit: 2 pcs

The biscuit jointer is suitable for milling slots for shadow joint connections in compact wood, plywood and chip boards. It serves edge connections for manufacturing properly matching, firm and safe wood joints with Lamellos, e.g. with timber frame, slots for crosswise -, longitudinal connections.

Features biscuit jointer:

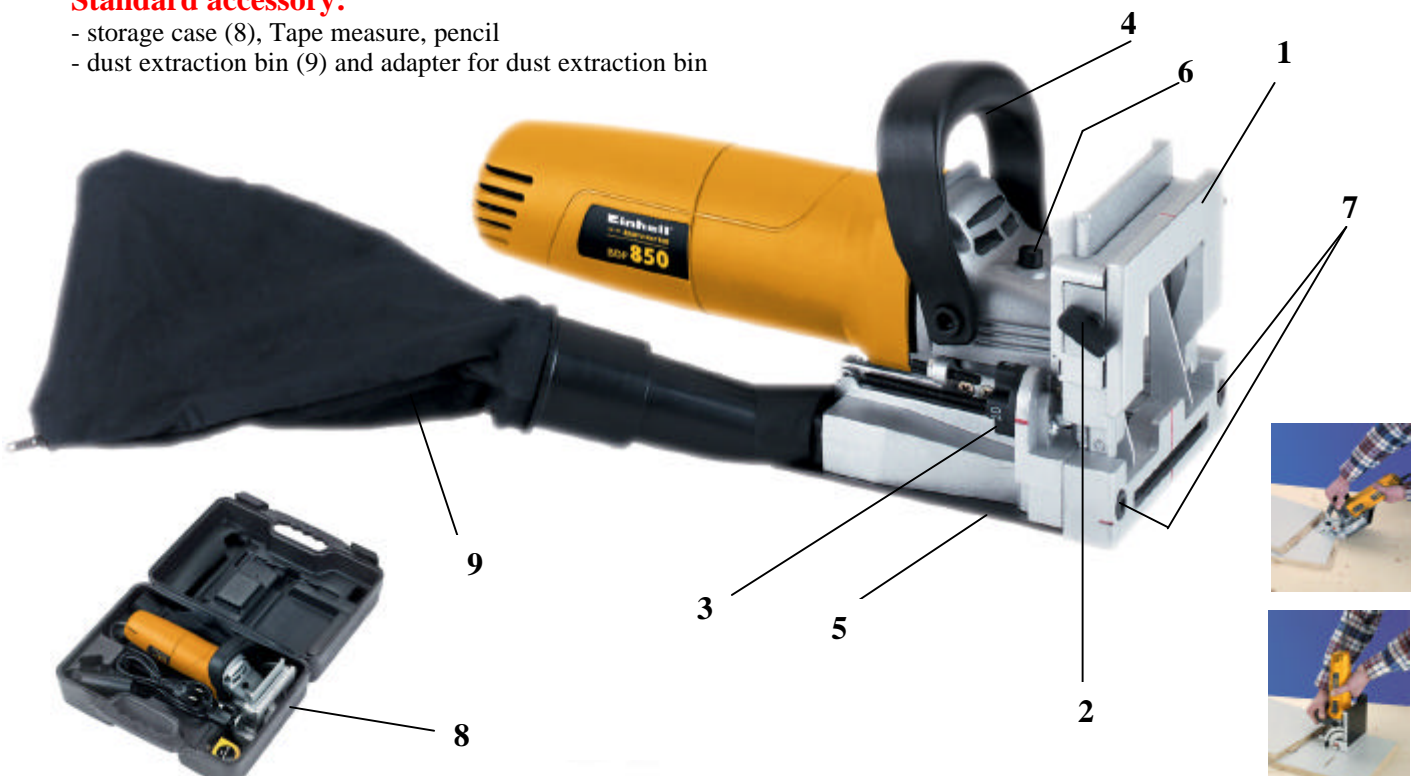
- Multi-purpose rail setting (1)
 - height adjustable 0-30 mm (2)
 - tiltable 0-90 °
- Quick setting of the routing depth with 3-step revolver setting and vernier adjustment (3)
- Elbow handle for safe stop in each milling position (4)
- Wide baseplate (5)
- Locking button for router changes (6)
- Anti-slide device for precise results of working (7)

Technical data:

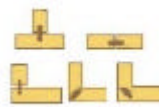
- Mains: 230 V ~ 50 Hz
- Power: 800 watts
- No-load speed: 11.500 rpm
- HM-router bit: Ø 100 x Ø 22 x 4 mm
- Routing depth max.: 19 mm
- Angle setting: 0-90 °
- Weight: 3,2 kg
- Packing dimensions: 370 x 280 x 170 mm

Standard accessory:

- storage case (8), Tape measure, pencil
- dust extraction bin (9) and adapter for dust extraction bin



Examples for Applications:



Application Lamellos:



Available as special accessory:

Spare HM-router bit
Ø 100 x Ø 22 x 4 mm

Art.-No: **43.506.90**

bar code: 4006825431568